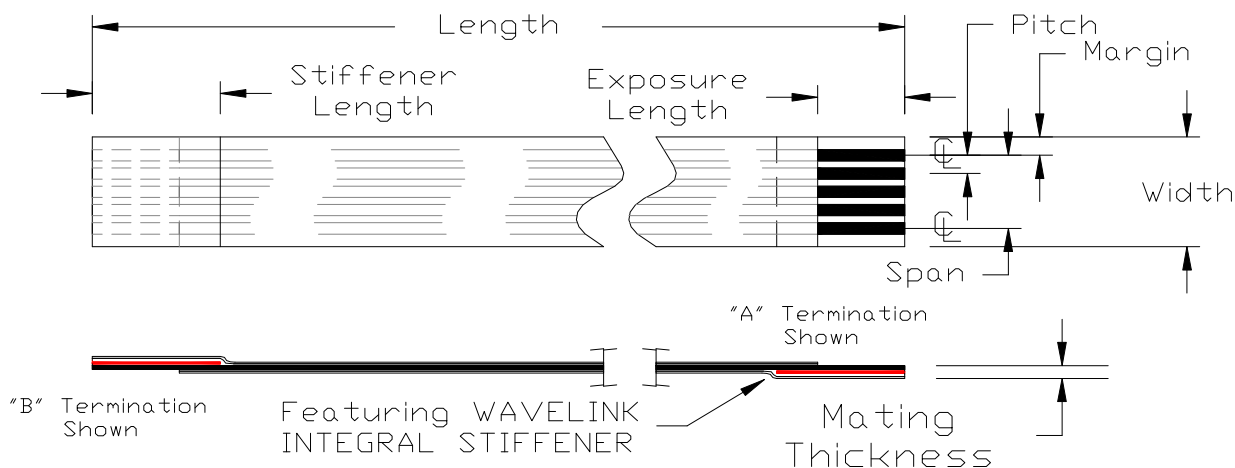




# Flat Flexible Cable

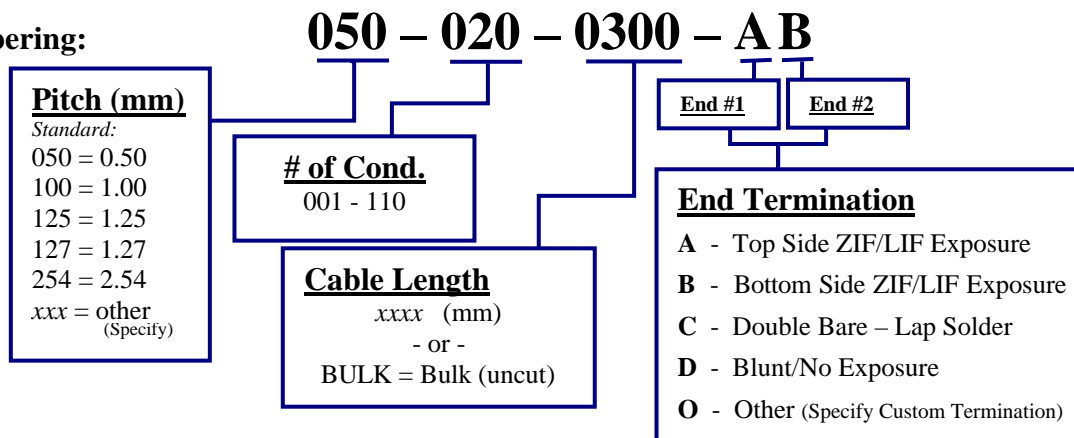
## Cable Specifications:



## Standard Dimensions:

Pitch (mm)	Tolerance non-cumulative (mm)	(n) # of Conductors	Standard Jumpers			ZIF / LIF Jumpers		
			Span (mm) (+/- 0.08)	Width (mm) (+/- 0.05)	*Margin (mm)	**Exposure Length (mm) (+/- 0.5)	**Stiffener Length (mm) (+/- 0.8)	***Mating Thickness (mm) (+/- 0.05)
2.54	+/- 0.13	1 - 75	2.54*(n-1)	2.54*(n+1)	+/- 0.13	5.0	6.0	0.30
1.27	+/- 0.13	1 - 110	1.27*(n-1)	1.27*(n+1)	+/- 0.13	5.0	6.0	0.30
1.25	+/- 0.13	1 - 110	1.25*(n-1)	1.25*(n+1)	+/- 0.13	5.0	6.0	0.30
1.00	+/- 0.08	1 - 110	1.00*(n-1)	1.00*(n+1)	+/- 0.13	4.0	6.0	0.30
0.50	+/- 0.08	1 - 110	0.50*(n-1)	0.50*(n+1)	+/- 0.10	4.0	6.0	0.30
						8.0	Use with -CC termination	
Length Tolerance	0 - 300 mm	+/- 0.8 mm	* Margin = Pitch = center of conductor to cable edge ** Exposure and Stiffener Length can be customized as needed *** Mating thickness may vary by connector manufacturer					
	301 - 500 mm	+/- 1.27 mm						
	> 500 mm	+/- 2.54 mm						

## Part Numbering:



Christopher Dobens  
603-606-7489

[cdobens@wavelinkcable.com](mailto:cdobens@wavelinkcable.com)

Bruce Haber  
603-606-7489

[bhaber@wavelinkcable.com](mailto:bhaber@wavelinkcable.com)

PO Box 4358  
Manchester NH 03108  
[www.wavelinkcable.com](http://www.wavelinkcable.com)



## Flat Flexible Cable

### FFC Style Interconnects

Wavelink cable is a UL recognized component - file #E237578

UL Style 2643,2646,2690,2639 rated 105C, 300V (2.54, 1.27 mm pitch)

UL Style 20566 rated 105C, 90V (1.0, 1.25 mm pitch)

UL Style 20890 rated 105C, 90V (0.5 mm pitch)

#### Termination Technologies

- **Insulation Displacement Contact (IDC) – Crimp**  
*Compatible with:*
  - AMP / Tyco
  - Nicomatic
  - FCI / Berg
  - ...and more
- **Bared Leads**
  - Hot Bar Solder
  - SMT Connectors
- **Zero Insertion Force (ZIF)**  
**Low Insertion Force (LIF)**  
*Compatible with:*
  - AMP / Tyco
  - Molex
  - Hirose
  - JAE
  - ...and more
- **Shielded Cable**
  - 1 Sided or 2 Sided
  - Custom Grounds

Standard Pitch and Wire Size			
Pitch (mm/in)	Wire Size (mm/in)	Current Rating (A)	Wire Gauge Equivalent
2.54 / .100	.076 x 1.27 / .003 x .050	3.0A (per trace)	26 AWG
2.54 / .100	.076 x 1.57 / .003 x .062	3.0A (per trace)	27 AWG
1.27 / .050	.076 x 0.81 / .003 x .026	1.5A (per trace)	30 AWG
1.25 / .049	.076 x 0.81 / .003 x .032	1.5A (per trace)	30 AWG
1.00 / .039	.076 x 0.66 / .003 x .026	1.5A (per trace)	31 AWG
0.50 / .019	.076 x 0.28 / .003 x .011	0.5A (per trace)	32 AWG

Standard Materials				
Material	Type	Thickness (mm/in)	Dielectric Strength	Temp Rating
Polyester	Insulation	.035 / .0015	2500V / mil	-50° C to 105° C
Polyimide	Insulation	.025 / .001	7500V / mil	-60° C to 125° C
Polyester	Stiffener	.035 / .0015	2500V / mil	
Copper	Flat Wire	.076 / .003		

*Custom Pitch and Wire Sizes Are Available*

#### Offering Wavelink Integral Stiffener (Patent #7,223,919)

- No Pressure Sensitive Adhesive to Peel or Fall-off
- Margins Trimmed with Stiffener in place
- Thorough Seal Around the Conductors
- Completely Flame Retardant Construction (VW1)

*All Wavelink Cables are 100% Tested for Opens and Shorts, Spark testing to 2500VDC, RoHS Compliant, PBDE Free and can be REACH Certified.*

Christopher Dobens  
603-606-7489  
[cdobens@wavelinkcable.com](mailto:cdobens@wavelinkcable.com)

Bruce Haber  
603-606-7489  
[bhaber@wavelinkcable.com](mailto:bhaber@wavelinkcable.com)

PO Box 4358  
Manchester NH 03108  
[www.wavelinkcable.com](http://www.wavelinkcable.com)